

# *Cable Percussion Tooling*

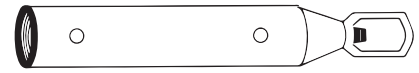
*Sinker Bars  
Samplers  
Casing  
SPT Equipment  
U4 Equipment*



# Cable Percussion Tooling

## Cable Percussion Equipment

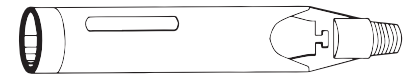
**Sinker Bar** - The sinker bar is fitted immediately above any drilling tool to which it is required. An intermediate sinker bar can be used to add extra weight to the drill string.



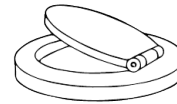
**Shell** - Used for drilling soft formations, such as sands and gravel, and for cleaning the hole.



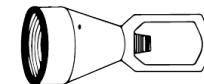
**Clay Cutter** - Used as a drop tool, the clay cutter provides a rapid method of penetrating plastic clays and similar cohesive soils.



**Clack Valve** - Clack valve for shell, can be either steel or leather.



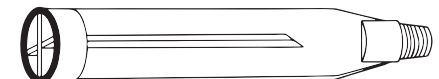
**Swivel Rod** - Permits the tool string to be rotated easily.



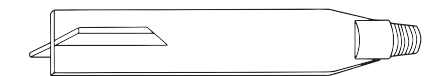
**Shell/ Claycutter Shoe** - Dando offers a variety of shoes for use with its shells and claycutters including plain, serrated, chisel and gravelling types.



**Stubber** - Used in similar conditions to the claycutter, but easier to empty of plastic clays.



**Cross Chisel** - Useful for breaking up large stones when drilling in hard formations.



Product Number	Product Description
SISBSWAPI	Sinker Bar - 2 1/4" x 3 1/4" API c/w Swivel Bail (86kg)
SISSBAPI	Slotted Sinker Bar, API Pin and Box

Product Number	Product Description
SIT06SHSC	Shell complete with Steel Clack 5 1/2"
SIT06CLAY	Clay Cutter 5 1/2"
SIT06STUB	Stubber 5 1/2"
SIT06SSHP	Shell/Clay Cutter Shoe Plain 5 1/2"
SIT06STCL	Steel Clack for 5 1/2" OD Shell
SIT06STUBS	Stubber Shoe 5 1/2"
SIT06CRCH	Cross Chisel 5 1/2"

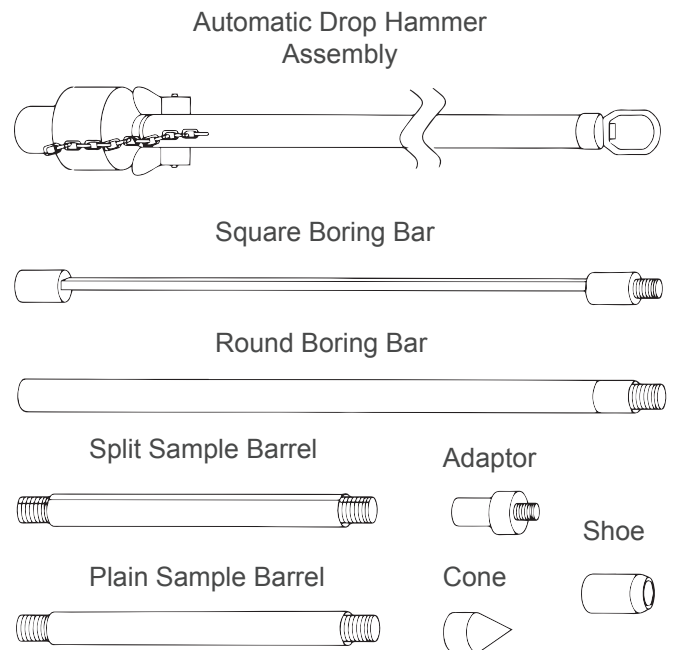
Product Number	Product Description
SIT08SHSC	Shell complete with Steel Clack 7 5/8" OD
SIT08CLAY	Clay Cutter 7 5/8"
SIT08STUB	Stubber 7 5/8"
SIT08SSHP	Shell/Claycutter Shoe, Plain 7 5/8"
SIT08STCL	Steel Clack for Shell 7 5/8" OD
SIT08STBS	Stubber Shoe 7 5/8"
SIT08CRCH	Cross Chisel 7 5/8"

# Cable Percussion Tooling

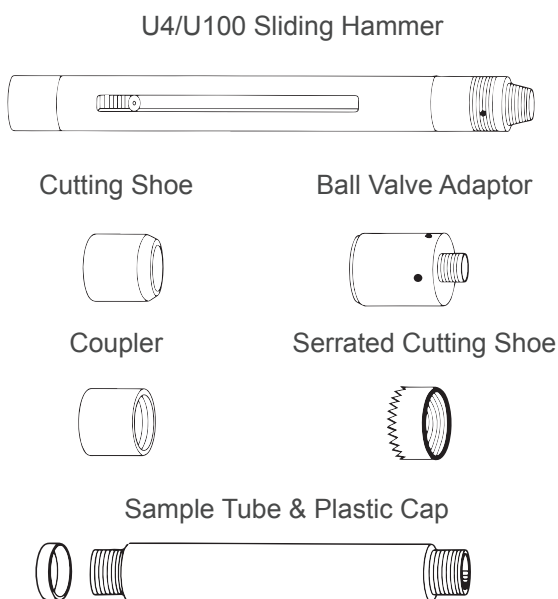
## SPT Equipment

Standard penetration testing is carried out to determine the density, strength and consolidation characteristics of soil using split barrel samplers. It can also provide disturbed samples for identification of soil components. The recorded blow count is used to determine the resistance to penetration of the soil involved, which can be related to the unconfined compressive strength. The penetration resistance is related to the number of blows required to cause the assembly to be driven 12 inches (300mm) into the ground, after seating using I 401b (63.5Kg) weight falling 30 inches (760mm).

Product Number	Product Description
SITAPCBAR	Tapping Down Bar
SIRRWH300	SPT Rod 3m
SIRRWH150	SPT Rod 1.5m
SPTADAPTO	SPT Adaptor
SPTSPLITS	SPT Split Spoon
SPTSHOE	SPT Shoe
SPTCONE	SPT Cone
SISRODAPI	Short Swivel Rod, API
SISRODWHI	Rod Swivel Short 1.1/2 Whit
SPTHAMMER	SPT Auto-trip Hammer



## U4 Equipment



(U.4./U 100) is designed for standard undisturbed soil sampling and extraction of 100mm (4") cores of adhesive strata for laboratory testing. The main component is the jarring link and drive head adaptor. A core tube with a hardened steel cutting shoe fitted to one end, is attached to the drive head and lowered into the borehole on boring bars. The weight of the latter is usually sufficient for driving the core tube into the formation and a careful check should be kept on the depth of penetration. The standard core tube is 457mm (18") long and is machined to limits internally. To shear off a core cleanly give the boring bars a full turn in a clockwise direction before extracting.

Undisturbed soil samples should preferably be sealed both ends. For longer cores, two tubes can be coupled together with the special barrel shaped adaptor.

Product Number	Product Description
U4HMWCOMP	U4 Sliding Hammer, 2 1/4" API complete with Drive Head and Overdrive Tube API